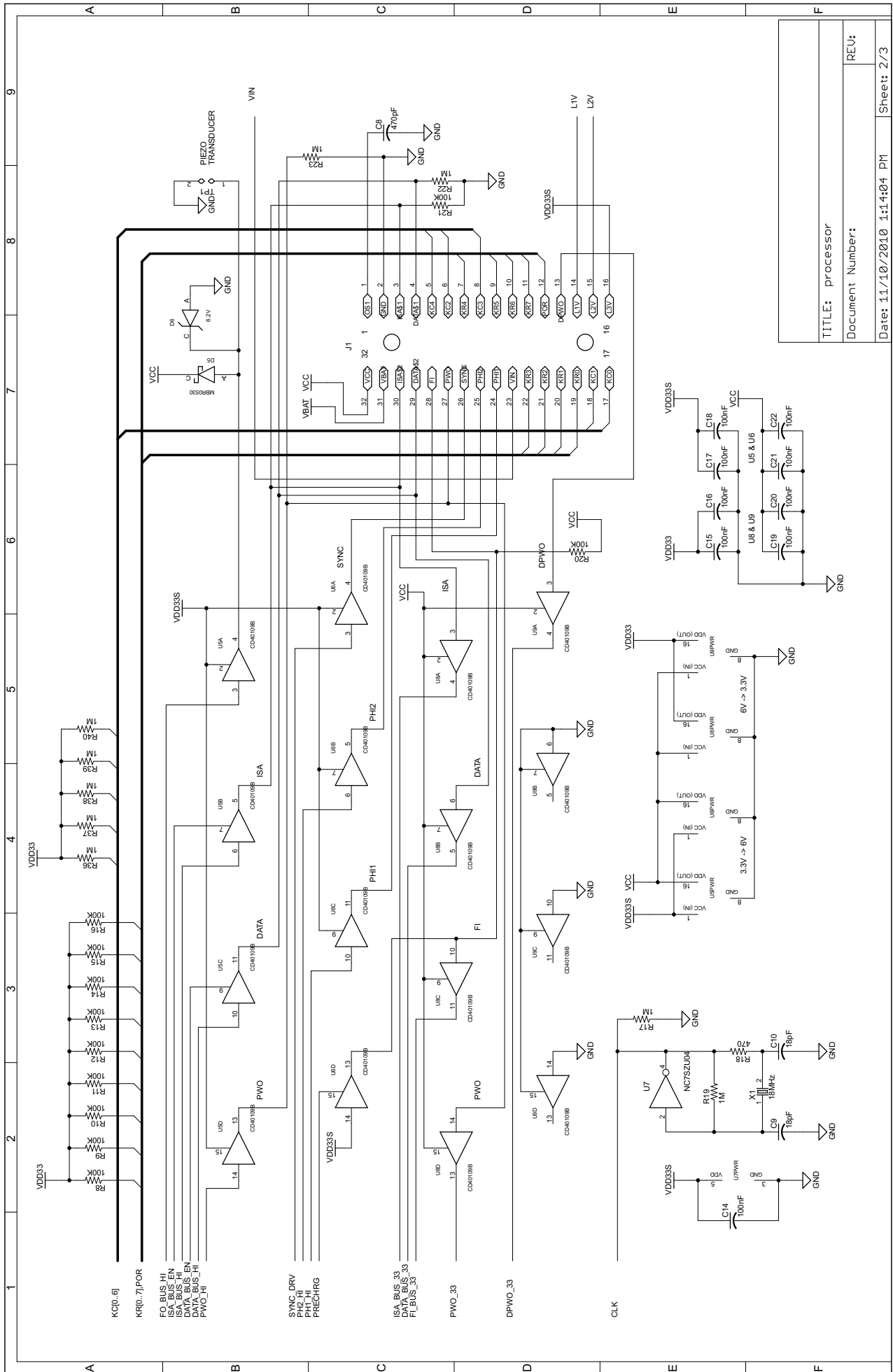
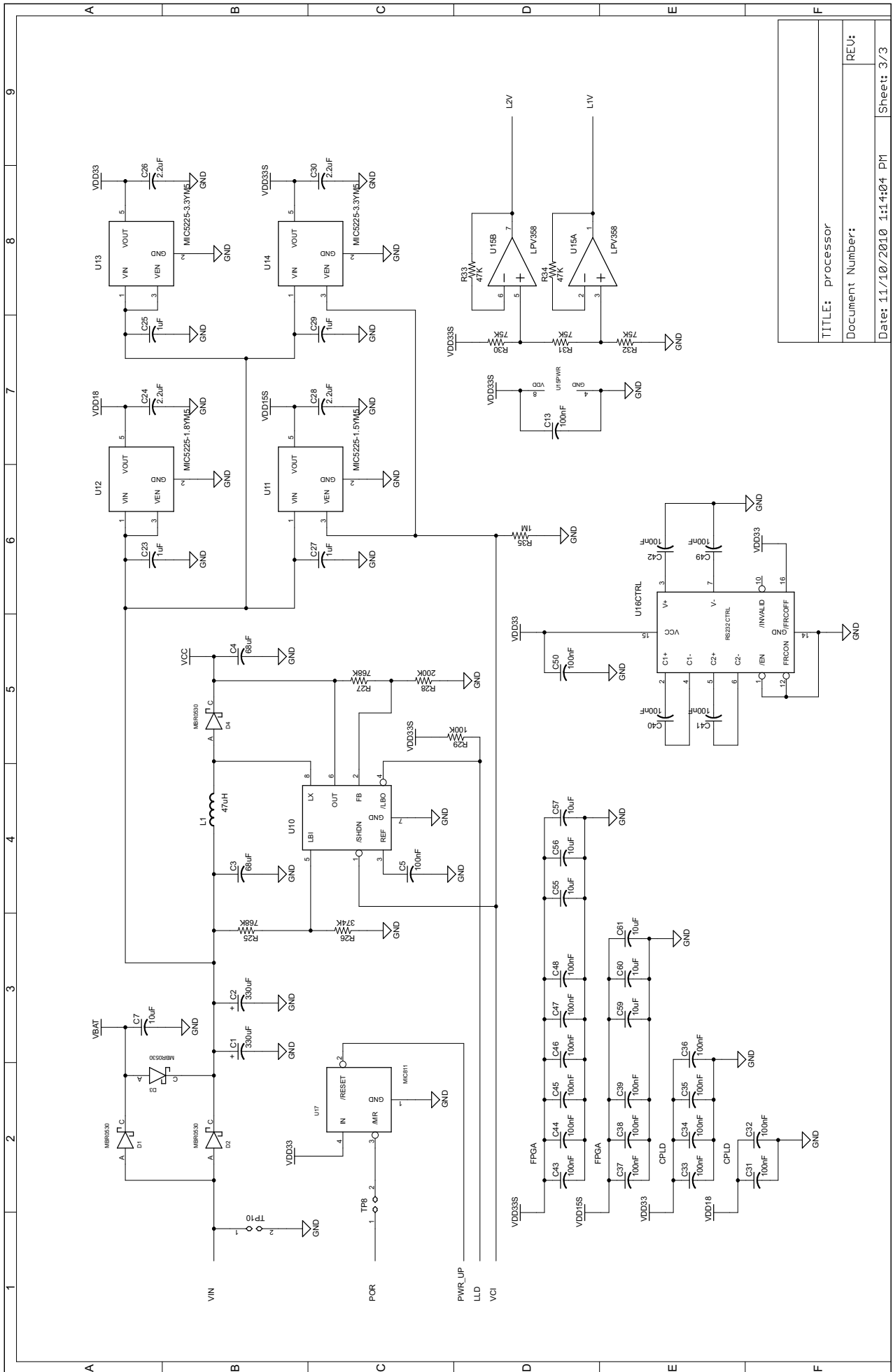


TITLE: Processor  
 Document Number:  
 Date: 11/10/2010 1:14:04 PM  
 Sheet: 1/3



TITLE: Processor
Document Number:
Date: 11/10/2010 1:14:04 PM
Sheet: 2/3



TITLE: processor

Document Number:

Date: 11/10/2010 1:14:04 PM

Sheet: 3/3