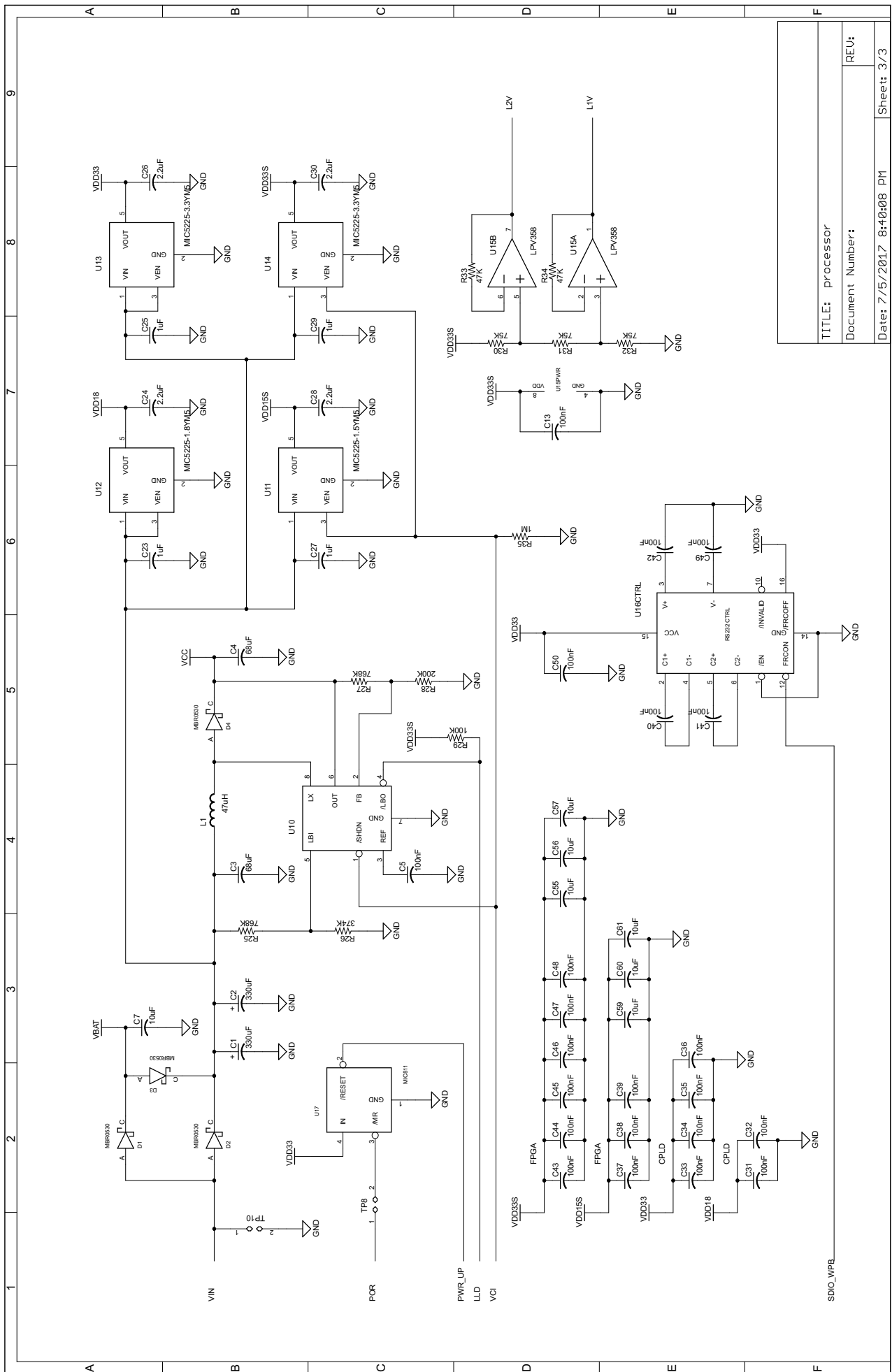


TITLE: Processor
Document Number:
Date: 7/5/2017 8:40:08 PM
Sheet: 2/3



TITLE: Processor	REV: 1
Document Number:	
Date: 7/5/2017 8:40:08 PM	Sheet: 3/3