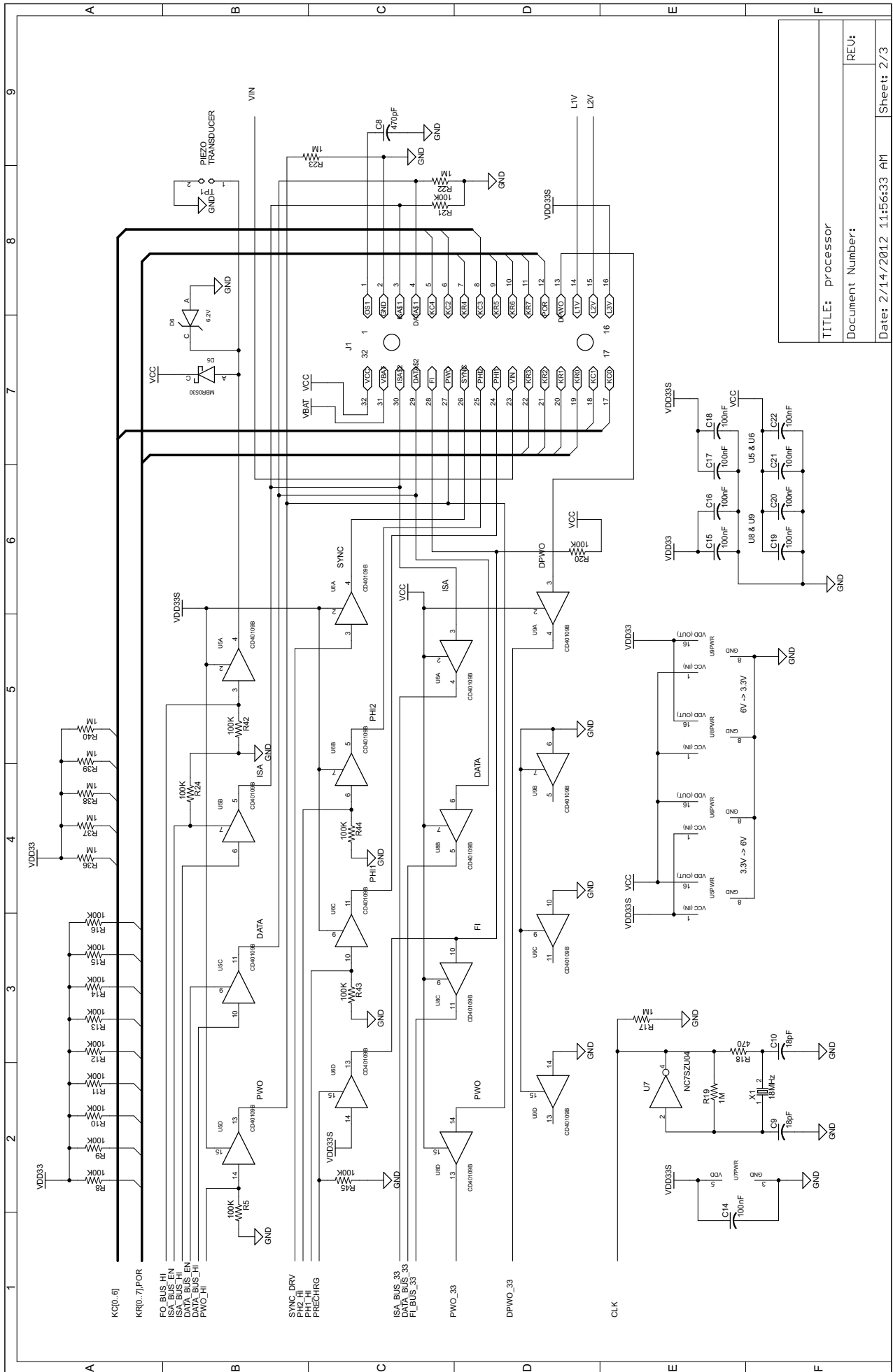
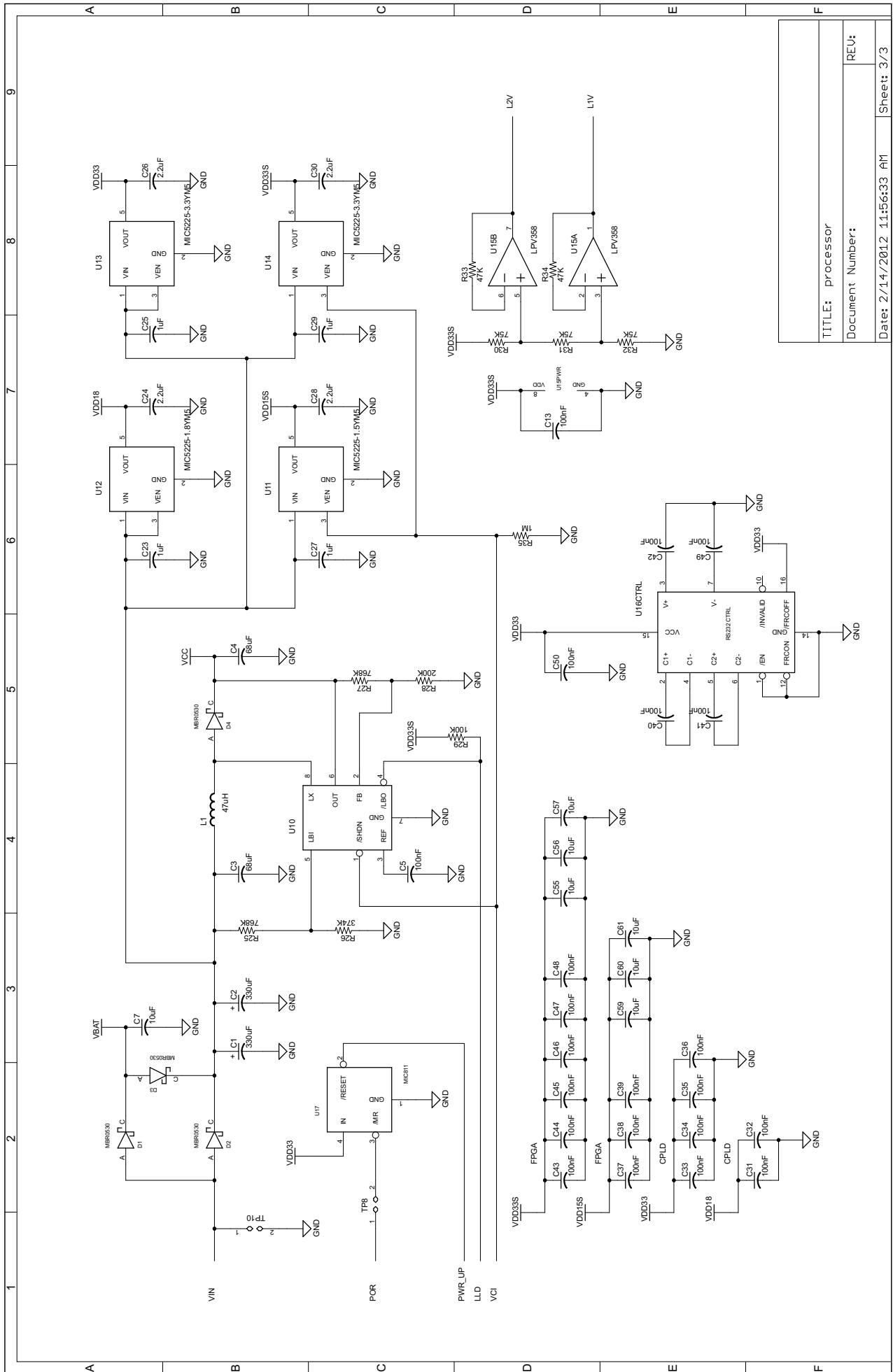


TITLE: Processor
 Document Number:
 Date: 2/14/2012 11:56:33 AM
 Sheet: 1/3



TITLE: Processor
 Document Number:
 Date: 2/14/2012 11:56:33 AM
 Sheet: 2/3



TITLE: Processor
Document Number:
Date: 2/14/2012 11:56:33 AM
Sheet: 3/3